

# TELELINE T1

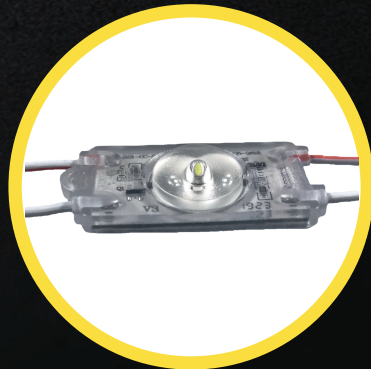
New generation of innovative solution for slim light boxes with a depth of 50-80mm. Due to professional optics only 25 modules per square meter is enough for the uniform illumination. Starting from the depth of 50 mm a distance between centers of modules - 150 mm. At least 50% LESS modules and consumed power per square meter. Equipped with new generation of high efficiency 3030 LED chip. White color option available: 6500K

## Specially designed for:

- Slim light boxes
- Recommended installation depth 50-80 mm

## Features:

- The smallest quantity of modules per square meter on the market !
- Power consumption is only 30 W per square meter.
- System efficiency up to 100 lm/W
- Maximum Tj temperature <80 °C
- LM80 international certificate for LEDs
- IC current stabilization inside
- Aluminium PCB and special thermal tape
- High protection level of IP67
- Fire protection level - V2
- Light decay < 30% after 60,000 hrs
- CRI > 82
- 5 years warranty

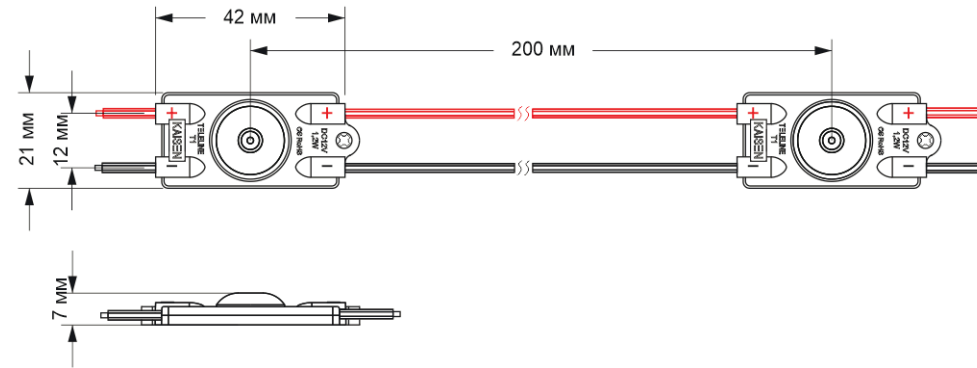


[www.kaisenelectric.com](http://www.kaisenelectric.com)

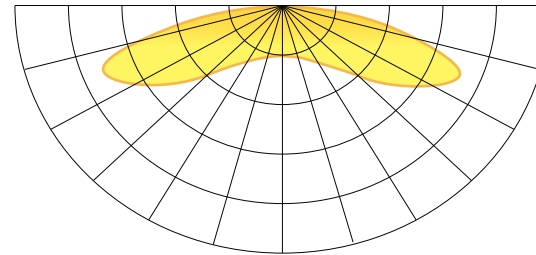


# KAISEN

## Dimensions



## Light distribution graph



Beam angle: 175°



## Technical information

Colors available :	○
Power	1.2 W
Light output	120 lm
LED type	3030
Input	12VDC
Color temperature	○ 6500 K
Beam angle	175°
Protection level	IP 67
Working temperature	-30 +50 °C

## Packing information

Packing type	Chain	Package	Box
Quantity	20 pcs	200 pcs	2400 pcs
Weight	0.17 kg	1.7 kg	21.8 kg

## Illumination table

Installation depth	Distance between centers	Quantity per 1 sq m	Power per 1 sq m
50 mm	150 mm	45 pcs	54 W
60 mm	180 mm	30 pcs	36 W
70 mm	200 mm	25 pcs	30 W
80 mm	200 mm	25 pcs	30 W